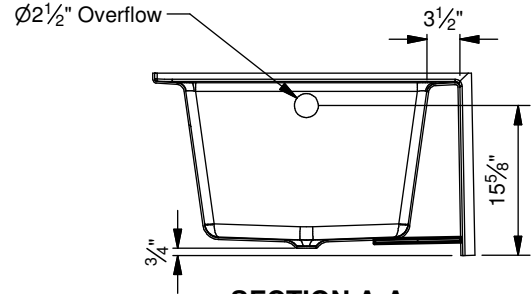
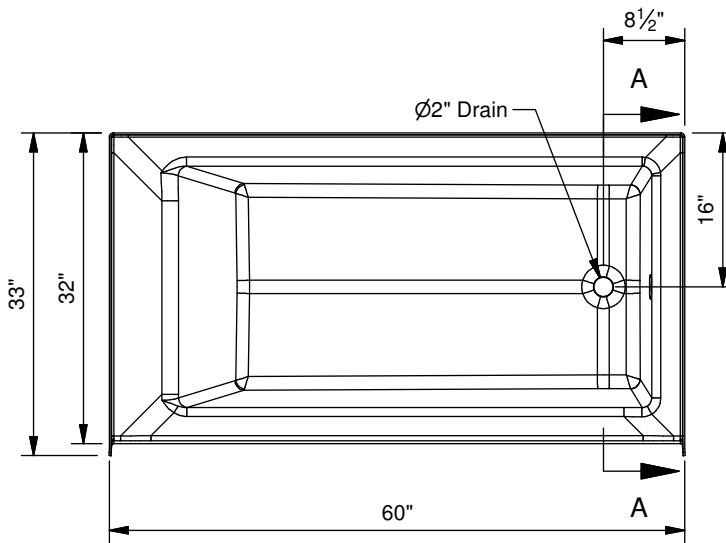


ELEVATION



SECTION A-A



PLAN
60" Bathtub
w/ 18" Apron

Right Hand Version (4633R) Shown

PRODUCT SPECIFICATIONS:

- * Product complies with NAHB, HUD UM-73A, and ANSI-Z124.1.2.
- * Reinforced & slip resistant floor.
- * Integral 1" [25mm] nailing flange.
- * Factory drilled 2-1/2" overflow.
- * Bathwell Dimensions (At Top): W-49-3/8"
D-25-1/8"
H-16-1/4"
- * Bathwell Dimensions (At Bottom): W-42-1/4"
D-21-1/8"
- * Bathwell Capacity (At Overflow): 52 gal.
- * Water Level (At Overflow): 12-3/4"
- * Available without an overflow model becomes number (4633LM or 4633RM)
- * All dimensions +/- 1/2"
- * Clarion Bathware reserves the right to change design and/or dimensions.
- * Dimensions are the same for all other versions of this model.
- * AcrylX™ applied acrylic surface

4633L or 4633R

6032SMIN - 60" Bathtub w/ 18" Apron & Left or Right Hand Drain

Clarion
BATHWARE
44 Amsler Ave.
Shippenville, PA 16254

Phone: (814) 226-5374
Toll Free: (800) 576-9228
Fax: (814) 226-0730
www.clarionbathware.com

Signatures For Approval:

Customer: _____ Date: _____
Arch./Engr: _____

Quote #: _____
Job Name: _____

DWG. #

4633L or R -CUT

By: JDH

Date: 2/4/2021

IMPOTANT NOTICE

Clarion bathware reserves the right to change the design and/or dimensions of its products at any time. This drawing may have been updated since this publication was issued. Before placing an order for any product, refer to our website at www.clarionbathware.com to obtain the most current drawings for any products that you wish to purchase. Compare the date of revision of the drawing that you have with the one on the drawing on our website. If you do not have internet access, please call your sales representative or Clarion Bathware's sales department at 1-800-576-9228.